

DURA-STILT SALES LIMITED PARTNERSHIP

A NEVADA LIMITED PARTNERSHIP

NORTH AMERICAN DISTRIBUTORS OF DURA-STILTS

MODEL IV



DURA-III



FIXED HEIGHT



KWIK BENCH



MAILING
P.O. Box 271313
Oklahoma City, OK
73137-1313

SHIPPING
8316 S.W. 8th
Oklahoma City, OK
73128

HOURS
8AM - 5PM CST, Monday - Friday
(800) 225-2440 (405) 495-2440
FAX (405) 495-7063

www.durastilt.com

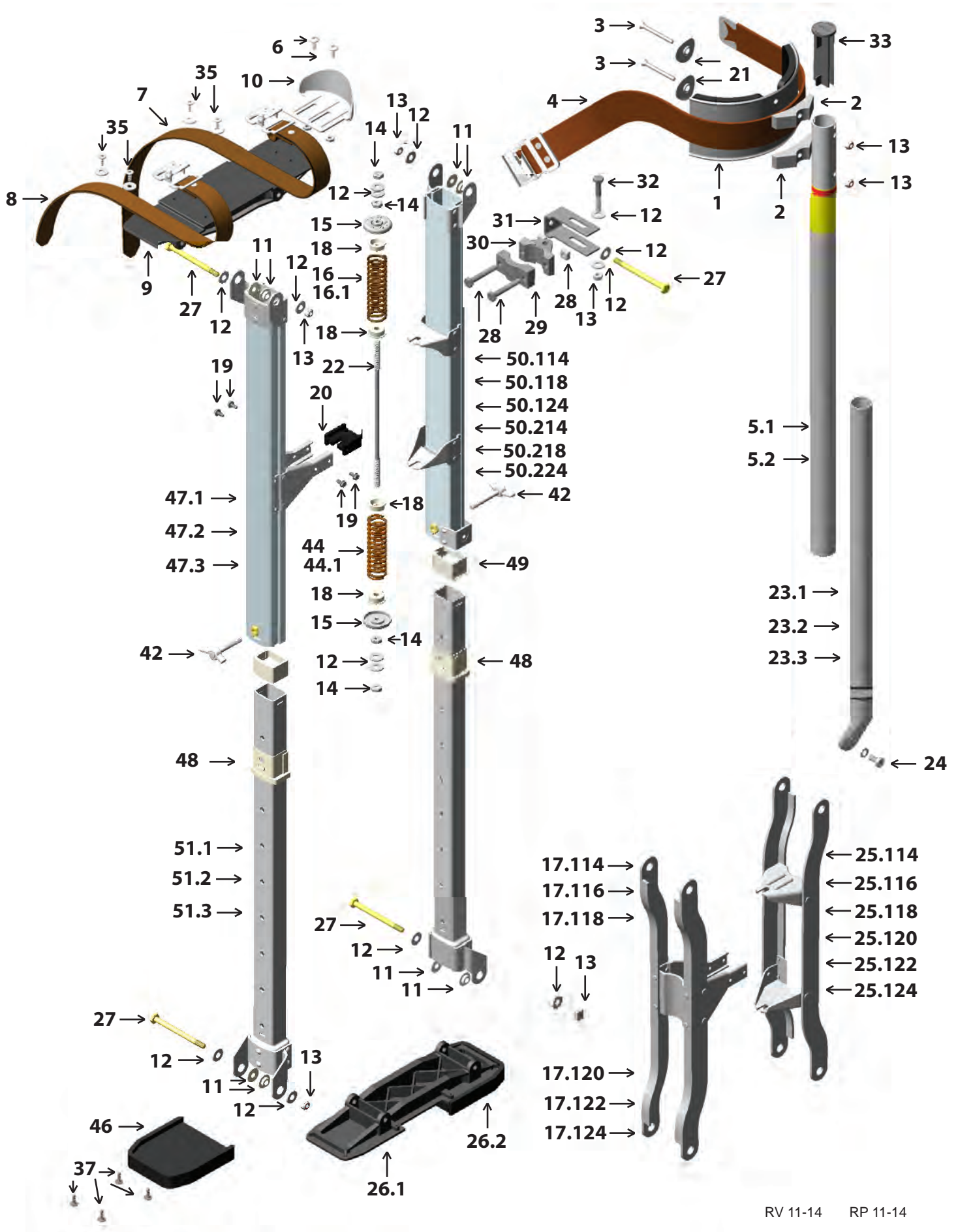


DISTRIBUTOR NET PRICE LIST

Prices Effective Nov 1, 2014

DURA-STILTS	SIZE	SHIP WEIGHT PER PAIR	CONTRACTOR PRICE PER UNIT	Distributor Net Price Per Unit	
				1-11	12 & UP
MODEL IV ADJUSTABLE DURA-STILTS FULLY ASSEMBLED	IV14" - 22" IV18" - 30" IV24" - 40"	13 LBS. 14 LBS. 15 LBS.	310.00 328.00 345.00	201.50 213.20 224.25	195.30 206.64 217.35
DURA-III ADJUSTABLE DURA-STILTS WITH STRAP ADAPTOR KIT INCLUDED*	D14" - 22" D18" - 30" D24" - 40"	14 LBS. 15 LBS. 16 LBS.	299.00 318.00 336.00	194.35 206.70 218.40	188.37 200.34 211.68
FIXED HEIGHT DURA-STILTS WITH STRAP ADAPTOR KIT INCLUDED	F14" F16" F18" F20" F22" F24"	12 LBS. 13 LBS. 13 LBS. 13 LBS. 13 LBS. 13 LBS.	224.00 231.00 240.00 251.00 258.00 268.00	145.60 150.15 156.00 163.15 167.70 174.20	141.12 145.53 151.20 158.13 162.54 168.84
STRAP ADAPTOR KIT ONLY	FITS ALL SIZES	1 LBS. Per Set	32.55 Per Set	21.16 Per Set	20.51
Kwik Bench	Adjusts 18"-30"	27 Lbs.	370.00	240.50	233.00
Dura-Stilts "Risk Management" Safety Training DVD			99.00	64.35	62.37
PARTS: Contractor Price Less 35% (See page 3)			TERMS: Net 30 Days \$5.00 Minimum Handling / Shipping Fee 15% Restocking Fee- Return Authorization Required		
FREIGHT POLICY INSIDE THE CONTIGUOUS 48 STATES Stilts 1-23 Pair: Freight Collect 24 Pair & Up: Freight Prepaid Parts Freight Collect--Unless ordered with Quantities of 24 Pair & up			FREIGHT POLICY OUTSIDE THE CONTIGUOUS 48 STATES Stilts 1-23 Pair: Freight Collect 24 Pair & UP: Freight Allowance To nearest border within the contiguous 48 States Parts Freight Collect--Unless ordered with Quantities 24 Pair & up		

Available Upon Request



DISTRIBUTOR NET PRICE

Prices Subject To Change Without Notice

Prices Effective Nov 1, 2014

PART DESCRIPTION			PART DESCRIPTION			
Part No.	CONTRACTOR PRICE EACH	DISTRIBUTOR PRICE EACH	Part No.	CONTRACTOR PRICE EACH	DISTRIBUTOR PRICE EACH	
1.	Leg band with pads.	6.18	27.	1/4-20 x 3-1/8" cap screw	0.88	0.57
2.	Leg band spacer	1.40	28.	1/4-20 x 1-5/8" cap screw with square nut	0.65	0.42
3.	1/4-20 x 2" flathead mach. screw with locknut	0.38	29.	Tube clamp (A) (Small)	2.35	1.53
4.	Leg strap and buckle	6.20	30.	Tube clamp (B) (Large)	2.68	1.74
5.1	1 1/8" O.D. upper strut tube (all sizes except F-24 & D24-40) (Orange / Blue Label) (Appx. Length - 23 7/8")	8.49	31.	Slotted clamp bracket	2.35	1.53
5.2	1 1/8" O.D. upper strut tube (F-24 & D24-40 only) (Green Label) (Appx. Length - 26 1/2")	8.79	32.	1/4-20 x 1-5/8" cap screw with locknut	0.64	0.42
6.	No. 10-24 x 1/2" truss head mach. screw with nut	0.27	33.	Strut tube cap / plug	1.30	0.85
7.	Arch strap (Long) with self locking buckle (Appx. length - 20")	5.62	34.	Shoe mounting screw package 4 No. 10-24 x 1-1/4" mach. screws 4 No. 10-24 x 1" mach. screws 8 No. 10-24 hex nuts	2.12	1.38
8.	Toe strap (Short) with self locking buckle (Appx. length - 17 1/2")	5.31	35.	Strap mounting screw with washer	0.26	0.17
9.	Foot plate	12.40	36.	No. 8 strap washer	0.15	0.10
10.	Adjustable heel bracket	5.19	37.	No. 8 x 1/2" sole mounting screw	0.27	0.18
11.	Nylon leg bearing	0.41	42.	Wing bolt	1.73	1.12
12.	1/4" Washer	0.18	44.	Lower coil spring with bearings (Light Brown)	2.17	1.41
13.	1/4" - 20 locknut	0.54	44.1	** Lower coil spring with bearings (Light Green) 24-40	2.45	1.59
14.	1/4" - 20 hex nut	0.16	45.	Entire spring assembly	14.43	9.38
15.	Spring adjuster	2.66	45.1	** Entire spring assembly (24-40)	16.15	10.50
16.	Upper coil spring with bearings (Dark Brown)	2.32	46.	Replaceable sole with 4 screws	4.77	3.10
16.1	** Upper coil spring with bearings (Dark Green) 24-40	2.60	47.1	Forward adjustable leg (Dura III 14" - 22") (Appx. Length - 11")	21.55	14.01
17.14	Forward leg assembly (F-14") (Appx. Length - 13")	12.88	47.2	Forward adjustable leg (Dura III 18" - 30") (Appx. Length - 14-3/4")	24.30	15.80
17.16	Foward leg assembly (F-16") (Appx. Length - 15")	12.88	47.3	Forward adjustable leg (Dura III 24" - 40") (Appx. Length - 20-3/8")	27.36	17.78
17.18	Foward leg assembly (F-18") (Appx. Length - 17")	12.88	48.	Large nylon extension tube sleeve (Lower)	4.86	3.16
17.20	Foward leg assembly (F-20") (Appx. Length - 19")	15.26	49.	Small nylon extension tube sleeve (Upper)	3.34	2.17
17.22	Foward leg assembly (F-22") (Appx. Length - 21")	15.26	50.114	*Left rear adjustable leg (Dura-III 14"-22") (Appx. Length - 11")	24.60	15.99
17.24	Foward leg assembly (F-24") (Appx. Length - 23")	15.26	50.118	*Left rear adjustable leg (Dura-III 18"-30") (Appx. Length - 14-3/4")	27.24	17.16
18.	Nylon spring bearing	0.47	50.124	*Left rear adjustable leg (Dura-III 24"-40") (Appx. Length - 20-3/8")	29.81	19.38
19.	Self threading screw (Aluminum Spring Dividers)	0.27	50.214	*Right rear adjustable leg (Dura-III 14"-22") (Appx. Length - 11")	24.60	15.99
20.	Spring divider with 4 screws	2.58	50.218	*Right rear adjustable leg (Dura-III 18"-30") (Appx. Length - 14-3/4")	27.24	17.71
21.	Leg band large support washers	0.41	50.224	*Right rear adjustable leg (Dura-III 24"-40") (Appx. Length - 20-3/8")	29.81	19.38
22.	1/4"-20" x 7-7/8" stud threaded both ends	2.43	51.1	Extension tube (Dura III 14"-22") (5 - Holes)	22.84	14.85
23.1	1" O.D. lower strut tube (sizes F-14", F-16", F-18", D14"-22") (Orange Label) (Appx. Length - 20-3/8")	8.52	51.2	Extension tube (Dura III 18"-30") (7 - Holes)	24.29	15.79
23.2	1" O.D. lower strut tube (sizes F-20", F-22" & D18-30) (Blue Label) (Appx. Length - 22-3/4")	9.10	51.3	Extension tube (Dura III 24"-40") (9 - Holes)	25.63	16.66
23.3	1" O.D. lower strut tube (sizes F-24" & D24"-40") (Green Label) (Appx. Length - 28-7/8")	9.72	53.	Parts / Instruction Book	1.58	1.03
24.	1/4-20 x 9/16" hex bolt, washer and locknut	0.61	54.	Strap adaptor screw package 8 No. 8x1/2" screws 8 No. 8 washers 4 No. 10-24 x 1/2" screws 4 No. 10-24 hex nuts	2.28	1.48
25.14	Rear leg assembly (F-14") (Appx. Length - 13")	13.26	55.	Sole mounting screw package (16 No.8x1/2" screws)	2.28	1.48
25.16	Rear leg assembly (F-16") (Appx. Length - 15")	13.26				
25.18	Rear leg assembly (F-18") (Appx. Length - 17")	13.26				
25.20	Rear leg assembly (F-20") (Appx. Length - 19")	15.73				
25.22	Rear leg assembly (F-22") (Appx. Length - 21")	15.73				
25.24	Rear leg assembly (F-24") (Appx. Length - 23")	15.73				
26.1	Floor plate only	12.40				
26.2	Floor plate with soles mounted	21.21				

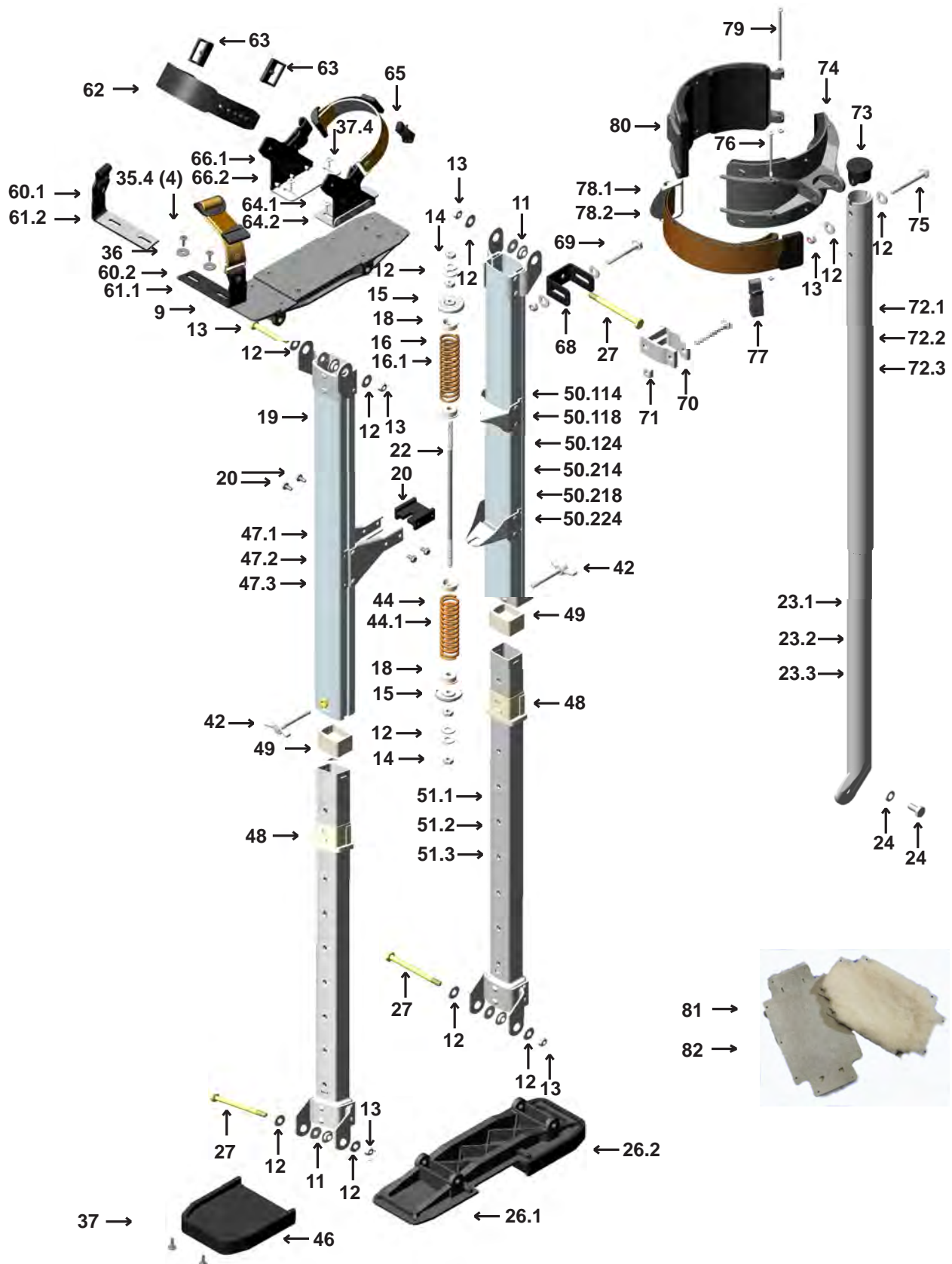
WARNING !

USE GENUINE DURA-STILT REPLACEMENT PARTS ONLY - MAKE NO MODIFICATIONS OR SUBSTITUTIONS
NEVER USE DURA-STILT PARTS ON IMITATION BRANDS OR THEIR PARTS ON DURA-STILTS

*Rear legs of the Dura-III must be distinguished either left or right when ordering.

** Optional heavy duty springs for 24-40 models





DURA-STILTS

Model IV Parts List

DISTRIBUTOR NET PRICE

Prices Subject To Change Without Notice

Prices Effective Nov 1, 2014

CONTRACTOR				DISTRIBUTOR			
Part No.	PART DESCRIPTION	Price Each	Price Each	Part No.	PART DESCRIPTION	Price Each	Price Each
9.	Foot plate	12.40	8.06	61.1	* Right inner toe harness (hook connector assembly)	5.61	3.65
11.	Nylon leg bearing	0.41	0.27	61.2	* Right outer toe harness (buckle / strap assembly)	7.46	4.85
12.	1/4" washer	0.18	0.12	62.	Arch strap	9.01	5.86
13.	1/4-20 lock nut	0.54	0.35	63.	Arch strap center bar buckle	1.45	0.94
14.	1/4-20 hex nut	0.16	0.10	64.1	* Left foot-Arch / heel harness strap retainer bracket with heel strap, buckle and 1" strap keeper.	11.15	7.25
15.	Spring adjuster	2.66	1.73	64.2	* Right foot-Arch / heel harness strap retainer bracket with heel strap, buckle and 1" strap keeper.	11.15	7.25
16.	Upper coil spring with bearings (Dark Brown)	2.32	1.51	65.	1" strap keeper	0.56	0.36
16.1	*** Upper coil spring with bearings (Dark Green) 24-40	2.60	1.69	66.1	* Left foot-Arch / heel harness strap retainer bracket with hook connector	10.16	6.60
18.	Nylon spring bearing	0.47	0.31	66.2	* Right foot-arch / heel harness strap retainer bracket with hook connector	10.16	6.60
20.	Spring divider with 4 screws	2.58	1.68	68.	Slotted steel clamp bracket	3.76	2.44
22.	1/4-20 X 7-7/8" stud threaded both ends	2.43	1.58	69.	1/4-20 X 2-1/16" cap screw with washers and lock nut	0.90	0.59
23.1	1" O.D. lower strut tube (14-22) (Orange Label) (Appx. Length - 20-3/8")	8.52	5.54	70.	Precision grip tube clamp	6.24	4.06
23.2	1" O.D. lower strut tube (18-30) (Blue Label) (Appx. Length - 22-3/4")	9.10	5.92	71.	1/4-20 X 1-1/2" cap screw with square nut	0.67	0.44
23.3	1" O.D. lower strut tube (24-40) (Green Label) (Appx. Length - 28-7/8")	9.72	6.32	72.1	**1-1/8" O.D. upper strut tube (Model IV14-22) (Orange label) (Appx. length 22-1/8")	10.86	7.06
24.	1/4-20 X 9/16" hex bolt, washer and locknut	0.61	0.40	72.2	**1-1/8" O.D. upper strut tube (Model IV18-30 only) (Blue label) (Appx. Length - 23-7/8")	11.15	7.25
26.1	Floor plate only	12.40	8.06	72.3	**1-1/8" OD upper strut tube (Model IV 24-40 only) (Green label) (Appx. length - 26-1/2) (Strut / Cap included with all part no. 72)	11.43	7.43
26.2	Floor plate with soles mounted	21.21	13.79	73.	Strut / Cap reinforcement plug	1.39	0.90
27.	1/4-20 X 3-1/8" cap screw	0.88	0.57	74.	Outer flex clamshell leg band with pads (Strut tube attachment side)	12.24	7.96
35.4	Toe harness mounting screw (Black) with washer	0.26	0.17	75.	1/4-20 X 2" hex cap screw with washers and lock nut	0.77	0.50
36.	No. 8 washer	0.15	0.10	76.	No. 6-32 X 2-1/4" Phillips pan head leg strap anchoring screw and lock nut	0.56	0.36
37.4	No. 8 X 1/2" mounting screw with star washer	0.27	0.18	77.	1-1/2" Strap Keeper	0.76	0.49
42.	Wing bolt	1.73	1.12	78.1	*1-1/2" Left leg strap with buckle and strap keeper	8.78	5.71
44	Lower coil spring with bearings (Light Brown)	2.17	1.41	78.2	*1-1/2" Right leg strap with buckle and strap keeper	8.78	5.71
44.1	*** Lower coil spring with bearings (Light Green) 24-40	2.45	1.59	79.	No. 6-32 X 2-7/8" Phillips pan head hinge screw and lock nut.	0.67	0.44
45.	Entire spring assembly	14.43	9.38	80.	Inner flex clamshell leg band with pads (Buckle Hook side)	10.86	7.06
45.1	*** Entire spring assembly (24-40)	16.15	10.50	81.	Optional lamb's wool outer cover (For PN. 74. outer flex clam shell leg band)	13.28	8.63
46.	Replaceable sole with 4 screws	4.77	3.10	82.	Optional lamb's wool inner cover (For PN. 80. inner flex clam shell leg band)	13.28	8.63
47.1	Forward adjustable leg (14" - 22")(Appx. Length - 11")	21.55	14.01	83.	No. 6-32 NTE lock nut	0.12	0.08
47.2	Forward adjustable leg (18" - 30")(Appx. Length - 14-3/4")	24.30	15.80				
47.3	Forward adjustable leg (24" - 40")(Appx. Length - 20-3/8")	27.36	17.78				
48.	Large nylon extension tube sleeve (Lower)	4.86	3.16				
49.	Small nylon extension tube sleeve (Upper)	3.34	2.17				
50.114	* Left rear adjustable leg (14" - 22")(Appx. Length - 11")	24.60	15.99				
50.118	* Left rear adjustable leg (18" - 30")(Appx Length - 14-3/4")	27.24	17.71				
50.124	* Left rear adjustable leg (24" - 40") (Appx. Length - 20-3/8")	29.81	19.38				
50.214	* Right rear adjustable leg (14" - 22") (Appx. Length - 11")	24.60	15.99				
50.218	* Right rear adjustable leg (18" - 30") (Appx. Length - 14-3/4")	27.24	17.71				
50.224*	Right rear adjustable leg (24" - 40") (Appx. Length - 20-3/8")	29.81	19.38				
51.1	Extension tube (14" - 22") (5 - Holes)	22.84	14.85				
51.2	Extension tube (18" - 30") (7 - Holes)	24.29	15.79				
51.3	Extension tube (24" - 40") (9 - Holes)	25.63	16.66				
55.	Sole mounting screw package (16 No. 8 X 1/2" screws)	2.28	1.48				
60.1	* Left inner foot toe harness (hook connector assembly)	5.61	3.65				
60.2	* Left outer foot toe harness (buckle / strap assembly)	7.46	4.85				

WARNING !

USE GENUINE DURA-STILT REPLACEMENT PARTS - MAKE NO MODIFICATIONS OR SUBSTITUTIONS

NEVER USE DURA-STILTS PARTS ON IMITATION BRANDS OR THEIR PARTS ON DURA-STILTS

*Must be distinguished either left or right when ordering.

** Strut/Cap Included with all part no. 72's

*** Optional heavy duty springs for 24-40 models



DURA-STILT SALES LIMITED PARTNERSHIP

NORTH AMERICAN DISTRIBUTORS OF DURA-STILTS AND KWIK BENCHES

A NEVADA LIMITED PARTNERSHIP

WWW.DURASTILT.COM

Prices Subject To Change Without Notice

Prices Effective November 2014


PO Box 271313
Oklahoma City, OK
73137-1313

DURA-STILT

Replacement Parts Packs

8AM - 5PM CST • MONDAY - FRIDAY

(800) 225-2440
(405) 495-2440
FAX: (405) 495-7063
RV 11-14

Pack No.	Part Qty.	Part No.	DURA-PACK Contents 	Contractor Price	Distributor Price
109	1	9	Nylon foot plate	12.47	8.11
126	1	26	Nylon floor plate with soles mounted	21.37	13.89
153	1	53	Assembly/Instruction Manual	1.27	0.83
201	2 4	1 3	Leg band with pads 1/4 x 2 Flat head screw with lock nut	13.63	8.86
204	2	4	Leg strap and buckle	12.35	8.03
210	2 4	10 6	Adjustable heel bracket No. 10 x 1/2 screw with nut	11.31	7.35
245	2	45	Complete spring assembly	27.18	17.67
245.1	2	45.1	Complete spring assembly (Heavy duty springs 24-40 model)	30.45	19.79
278	2 2 8	7 8 35	Arch strap and buckle (Long) Toe strap and buckle (Short) No. 8 Screw with washer	22.74	14.78
442	4	42	Wing bolt	6.86	4.46
446	4	46	Replacement sole with screws	18.43	11.98
1127	8 8 16 16	27 13 12 11	1/4 x 3 1/8 Pivot bolt 1/4 Lock nut 1/4 Washer Nylon leg bearing	19.78	12.86
1644	2 2	16 44	Upper coil spring with bearings (Dark Brown) Lower coil spring with bearings (Light Brown)	8.96	5.82
1644.1	2 2	16.1 44.1	Upper coil spring with bearings (Dark Green) Lower coil spring with bearings (Light Green) (Heavy duty springs 24-40 model)	10.03	6.52
4849	4 4	48 49	Large nylon extension tube sleeve (Lower) Small nylon extension tube sleeve (Upper)	30.92	20.10

DURA-STILT SALES LIMITED PARTNERSHIP

NORTH AMERICAN DISTRIBUTORS OF DURA-STILTS AND KWIK BENCHES

A NEVADA LIMITED PARTNERSHIP

WWW.DURASTILT.COM

Prices Subject To Change Without Notice

Prices Effective November 2014

PO Box 271313
Oklahoma City, OK
73137-1313

MIV DURA-STILT

(800) 225-2440
(405) 495-2440
FAX: (405) 495-7063
RV 11-14

Replacement Parts Packs
8AM - 5PM CST • MONDAY - FRIDAY

Pack No.	Part Qty.	Part No.	MIV DURA-PACK Contents	Contractor Price	Distributor Price
8074	1		MIV CLAMSHELL PACK	56.70	36.86
	4	12	1/4 washer		
	2	13	1/4 locknut		
	2	75	1/4 cap screw		
	2	73	MIV reinforcement cap/plug		
	2	74	Outer clamshell with pads		
	2	76	Leg strap anchor screw with lock nut		
	1	78.1	Left leg strap, buckle and strap keeper		
	1	78.2	Right leg strap, buckle and strap keeper		
	2	79	Hinge screw with lock nut		
	2	80	Inner clamshell with pads with hook		
	8182	1			
2		81	Outer clamshell cover		
2		82	Inner clamshell cover		
8060	1		MIV HARNESS KIT COMPLETE	72.45	47.09
	1	60.1	Left foot inner toe harness strap with hook		
	1	60.2	Left foot outer toe harness strap with buckle		
	1	61.1	Right foot inner toe harness strap with hook		
	1	61.2	Right foot outer toe harness strap with buckle		
	4	35.4	Black toe harness mounting screw with washer		
	8	37.4	Heel harness bracket mounting screw with star washer		
	2	62	Arch strap		
	4	63	Arch strap center bar buckle		
	1	64.1	Left foot outer arch/heel harness bracket with heel strap, buckle and strap keeper		
	1	64.2	Right foot outer arch/heel harness bracket with heel strap, buckle and strap keeper		
	1	66.1	Left foot inner heel harness bracket with heel strap hook		
1	66.2	Right foot inner heel harness bracket with heel strap hook			

DISTRIBUTOR INFORMATION

TERMS

NET 30 DAYS

ORDERING & SHIPPING

MOST ORDERS ARE SHIPPED WITHIN THREE BUSINESS DAYS FROM OKLAHOMA CITY, OKLAHOMA. WE DO EXPEDITE ORDERS UPON REQUEST WHENEVER POSSIBLE.

FREIGHT POLICY

DOMESTIC: PREPAID FREIGHT ON 24 OR MORE PAIR INSIDE THE CONTIGUOUS 48 STATES.

FOREIGN: FREIGHT ALLOWANCE TO THE NEAREST BORDER ON 24 OR MORE PAIR OUTSIDE THE CONTIGUOUS 48 STATES.

PRODUCT WARRANTIES & SERVICE

90 DAY UNCONDITIONAL, **LIFE TIME** STRUCTURAL COMPONENTS AGAINST BREAKAGE (WITH LIMITS AND EXCLUSIONS). A COPY OF THE DURA-STILT, AND KWIK BENCH WARRANTY WILL BE FURNISHED UPON REQUEST.

PLEASE NOTE: WARRANTY SERVICE SELDOM REQUIRES THE REPLACEMENT OF AN ENTIRE PRODUCT. WHENEVER POSSIBLE, WE PREFER TO REPAIR AND RETURN THE PRODUCT IN QUESTION SO THE DISTRIBUTOR IS NOT INVOLVED IN THE REPAIR PROCESS. IF CUSTOMER RELATIONS DICTATES AN "IN STORE" EXCHANGE, WE ASK THAT YOU CONTACT US FOR APPROVAL.

RETURN AUTHORIZATION IS REQUIRED. DIRECT ALL RETURNS AND WARRANTY SERVICE TO: "CUSTOMER SERVICE"

DURA-STILT SALES LIMITED PARTNERSHIP
8316 S.W. 8th STREET
OKLAHOMA CITY, OKLAHOMA 73128

NOTES