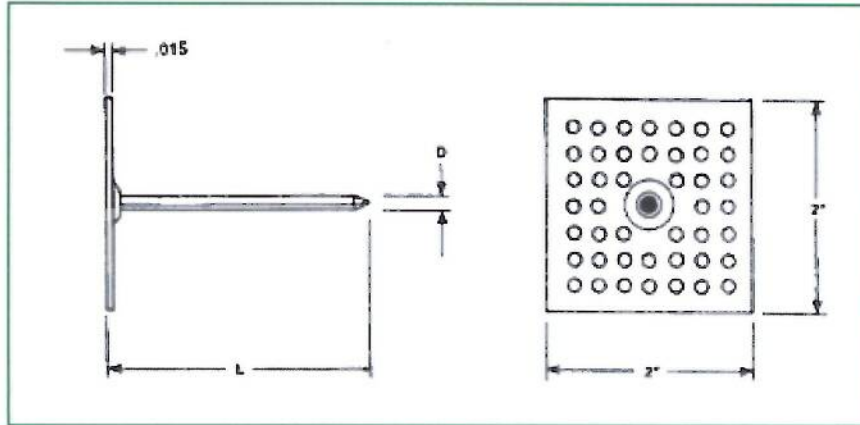


MIDWEST Fasteners, Inc.  
 450 Richard St. • Miamisburg, OH 45342 • PH: 800-852-8352 • FAX: (937) 866-4174

**SPINDLE**

The Spindle type Insulation Anchor, or Insulation Hanger, is a fabricated 2" X 2" perforated metal base with insulation pin attached for impaling and installing various thermal and acoustical insulation materials. Popular materials for the spindle anchor are Mild Steel, Aluminum and Stainless Steel, with combinations of these materials also occurring for special applications. Typical insulation pin diameter is 12 gauge (0.105" dia.) and is used in conjunction with Self Locking Insulation Washers, or Speed Clips, and mounted using general purpose adhesive, like Midwest Fasteners IHA-177.

IS-016  
 IS-020  
 IS-025  
 IS-035  
 IS-045  
 IS-055  
 IS-065  
 IS-085  
 IS-095  
 IS-105  
 IS-115



<b>SIZE :</b>	D	12 GA (.105") is standard. Other sizes available by special order only.
<b>LENGTH :</b>	L	1", 1-5/8", 2", 2-1/2", 3-1/2", 4-1/2", 5-1/2", 6-1/2", 8" and 9" are standard. Other lengths available by special order.

**PIN**  
**MATERIAL :** LOW CARBON STEEL  
**PLATING :** Galvanized coating is standard.

PLATE	OTHER MATERIALS
<b>MATERIAL :</b> LOW CARBON STEEL	Also available by special order in all tainless steel or all Aluminum
<b>PLATING :</b> Galvanized is standard.	
<b>WASHERS :</b> Self - locking washers are available in a variety of sizes. Shapes. and materials.	
<b>TO ORDER OR SPECIFY, GIVE :</b>	

1. Product code .....IHSP
2. Size .....12 GA
3. Length .....L
4. Material .....(if other than standard)

Copyright ©. 2010 Midwest Fasteners, Inc.

Close Window