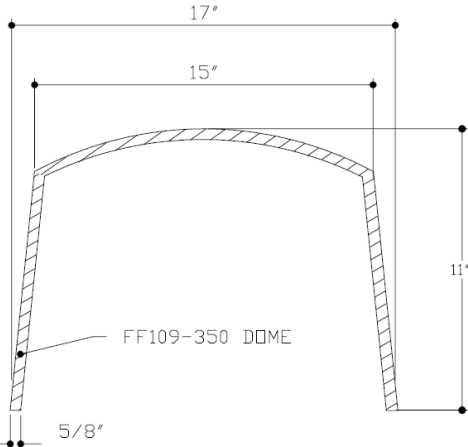


### Technical Product Specification

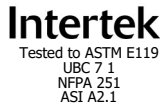


Model Number	Inside Height	Outside Diameter
FF109-350	10 3/8"	17"

### Performance Data

#### For Use:

- Warnock Hersey - Intertek certified to maintain the fire rating (1 hour) of fire-rated floor/ceiling assemblies.



### General Information

#### Benefits:

- 60 minute protection.
- Fits most popular recessed light fixtures.
- For use with recessed incandescent, fluorescent or LED light fixtures.
- Can be used in L500 floor/ceiling assemblies.
- Lightweight (approx. 2.5 lbs).
- Easy Installation - can be fitted in seconds - no screws, drilling or additional sealant required.
- Flexible material enables the cover to be fitted around obstacles or retro-fitted.
- Enhances the acoustic protection of the ceiling.
- Maintenance free.



The FF109-350 is the larger version of the FF109-300 and suitable for lights up to 8".

Both covers are made out of the same intumescent material and exhibit excellent thermal and acoustical insulating properties.

The FF109-350 has an inside height of 10 3/8" and a diameter of 15" to fit the most common recessed light housings.

