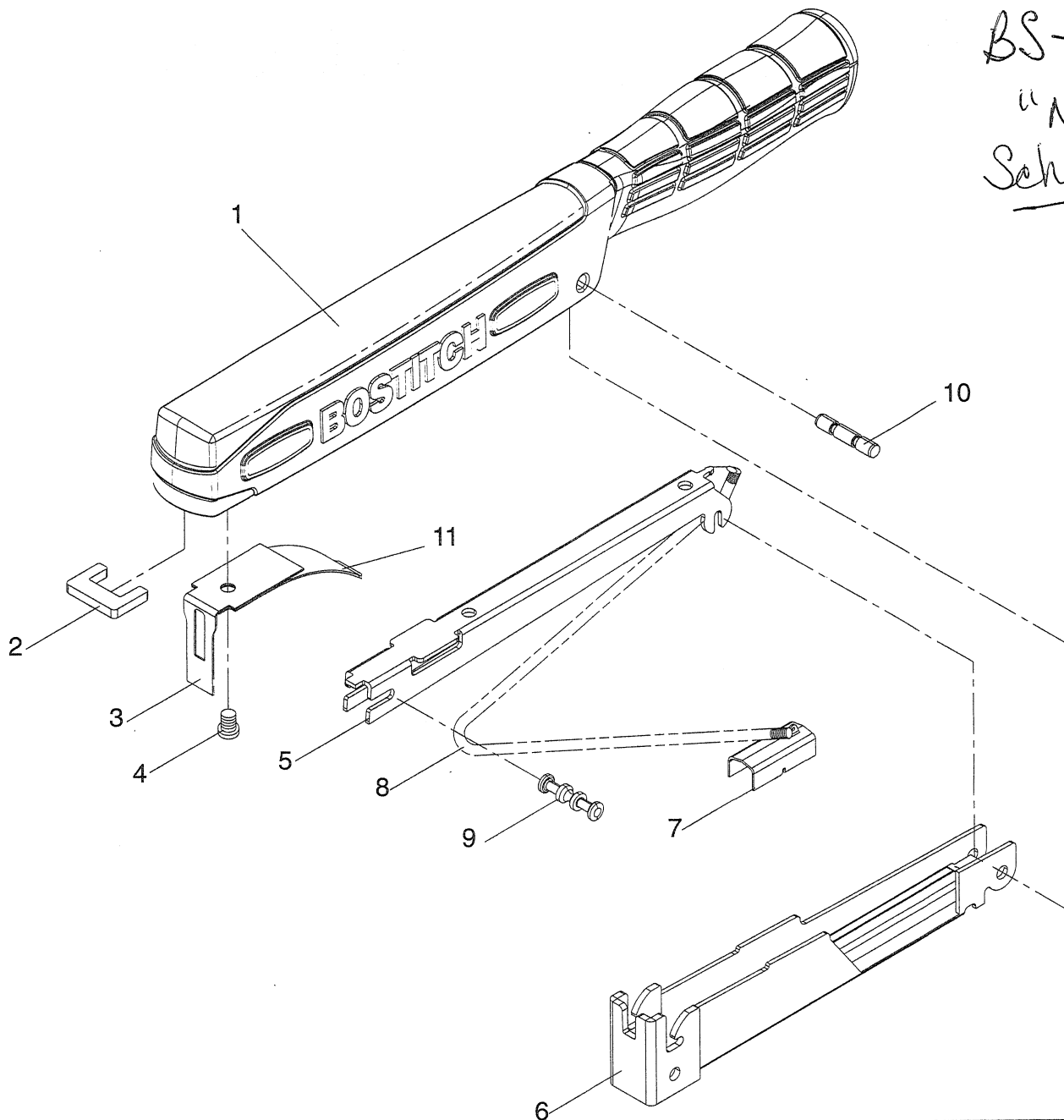


BS-306  
 "New"  
Schematics



J+R	ITEM NO.	PART NO.	DESCRIPTION
	1	177844	FRAME-GRIP-PAD ASSEMBLY ENSAMBLE DE MARCO-MANGO-GOMA ENSEMBLE CHASSIS-POIGNEE-COUSSIN
BS-603	2	H30603	BUMPER / PARACHOQUES / AMORTISSEUR
BS-624	3	H30624	DRIVER / IMPULSOR / ENFONCEUR
	4	UA3806.22	#10-24 X 3/8 THREAD FORMING PAN HD SCREW #10-24 X 3/8 TORNILLO AUTORROSCANTE DE CABEZA CHANFLEADA #10-24 X 3/8 THREAD FORMING PAN HD SCREW
BS-806			
BS-605	5	H30605	TOP GUIDE / GUIA SUPERIOR / GUIDE SUPERIEUR
BS-606	6	H30606	MAGAZINE ASSEMBLY / ENSAMBLE DE ALIMENTADOR / ENSEMBLE MAGAZIN
BS-607	7	177846	PUSHER / EMPUJADOR / POUSSOIR
BS-608	8	H30608	PUSHER SPRING / RESORTE DEL EMPUJADOR / RESSORT DE POUSSOIR
BS-609	9	H30609	ROLLER / RODILLO / GALET
BS-610	10	H30610	PIVOT PIN / PASADOR DE PIVOTE / GOUPILLE DU PIVOT
BS-615	11	H30615	SPRING / RESORTE / RESSORT