

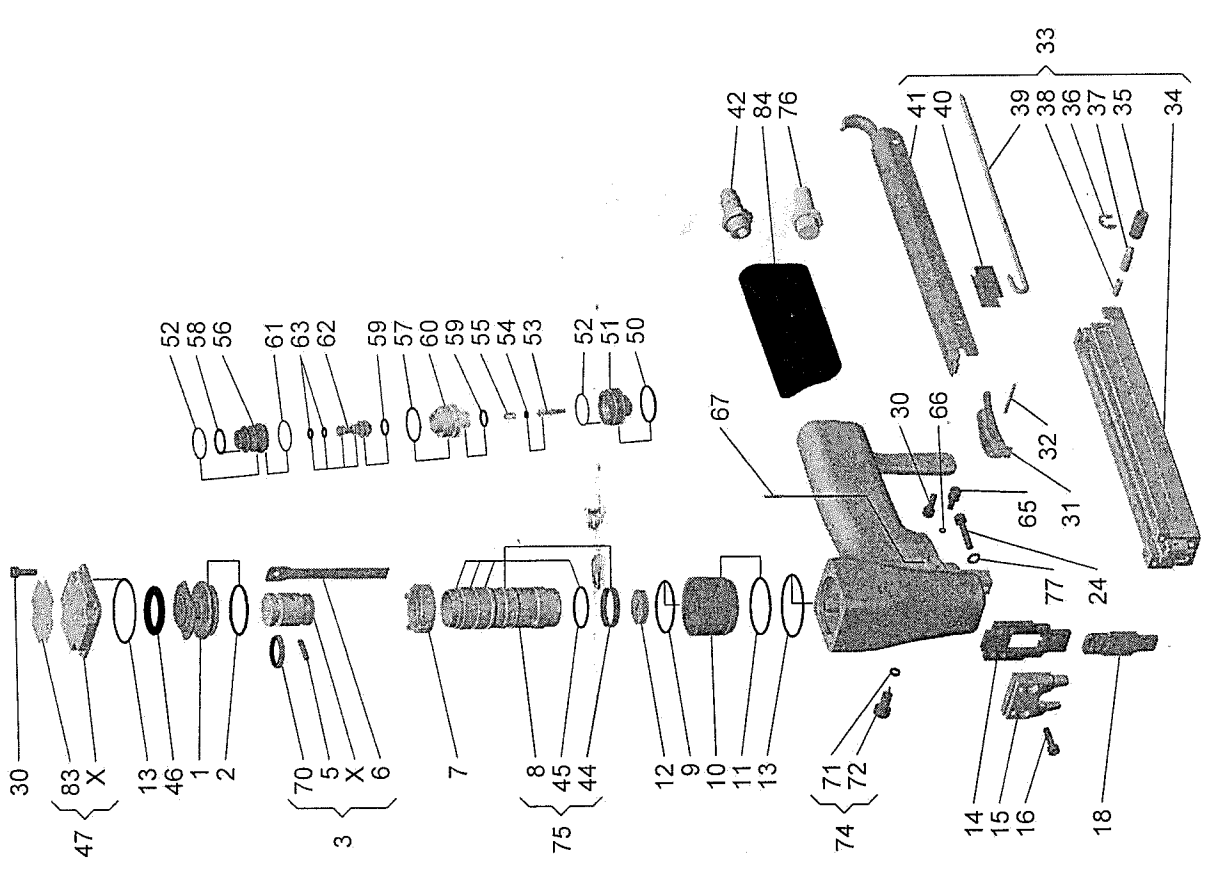
# 10

**Parts list JK20A670L**  
 When ordering please indicate part number

**JK20A670L**  
 Vid beställning var vänlig ange artikelnumera

**Teiliste JK20A670L**  
 Bei Bestellungen immer Artikel-Nr. angeben

Pos.	Part No. Artikel-Nr.	Part Name	Benämning	Quantity Antal Stückzahl
1	150436	Cylinder cap	Lock för cylinder foder	1
2	972177	O-ring	O-ring	1
3	13237	Piston with driver long	Kolv lsg. med drivare lång	1
4	13236	Piston with driver short	Kolv lsg. med drivare kort	1
5	14509	Driver blade long	Drivare lång	1
6	184143	Driver blade short	Drivare kort	1
7	150102	Cylinder top ring	Cylinderfoder	1
8	190095	O-ring	O-ring	1
9	972007	Cage	Hylsa	1
10	150469	O-ring	O-ring	1
11	972011	Bumper	Kollsläppare	1
12	145053	O-ring	O-ring	2
13	972023	Rear nozzle plate	Bakre drömskärning	1
14	182213	Guide door	Skruv	1
15	138614	Screw	Skruv	2
16	945662	Door	Skruv	1
17	182210	Screw	Skruv	2
18	945658	Screw	Skruv	5
19	185049	Trigger	Avtryckare	1
20	945039	Tension pin	Spännsift	1
21	132215	Magazine short	Magasin kort	1
22	132217	Long magazine	Magasin lång	1
23	132873	Rail short	Klammarska kort	1
24	132876	Rail long	Klammarska lång	1
25	150113	Lock cage	Spårhylsa	1
26	951037	Retainer	Spårplatta	1
27	160051	Lock piston	Låsflädd	1
28	173052	Feeder spring short	Frammatlaffäder kort	1
29	173053	Feeder spring long	Frammatlaffäder lång	1
30	173054	Pusher	Frammatlaff	1
31	151106	Magazine lid short	Magasinlock kort	1
32	170172	Magazine lid long	Magasinlock lång	1
33	970203	Nipple	Nippel	1
34	145019	Seal back valve	Tätning bakventil	1
35	972028	O-ring	O-ring	3
36	139460	Top cap	Lock	1
37	972021	O-ring	O-ring	1
38	145106	Nut	Mutter	1
39	972020	Valve stem	Ventilspindel	1
40	972057	O-ring	O-ring	2
41	173065	Valve spring	Frådd	1
42	970201	Upper valve cage	Ventilhylsa övre	1
43	972058	O-ring	O-ring	1
44	972059	O-ring	O-ring	1
45	972059	O-ring	O-ring	1
46	972059	O-ring	O-ring	1
47	972059	O-ring	O-ring	1
48	972059	O-ring	O-ring	1
49	972059	O-ring	O-ring	1
50	972059	O-ring	O-ring	1
51	972059	O-ring	O-ring	1
52	972059	O-ring	O-ring	1
53	972059	O-ring	O-ring	1
54	972059	O-ring	O-ring	1
55	972059	O-ring	O-ring	1
56	972059	O-ring	O-ring	1
57	972059	O-ring	O-ring	1
58	972059	O-ring	O-ring	1
59	972059	O-ring	O-ring	1
60	972059	O-ring	O-ring	1
61	972059	O-ring	O-ring	1
62	972059	O-ring	O-ring	1
63	972059	O-ring	O-ring	1
64	972059	O-ring	O-ring	1
65	972059	O-ring	O-ring	1
66	972059	O-ring	O-ring	1
67	972059	O-ring	O-ring	1
68	972059	O-ring	O-ring	1
69	972059	O-ring	O-ring	1
70	972059	O-ring	O-ring	1
71	972059	O-ring	O-ring	1
72	972059	O-ring	O-ring	1
73	972059	O-ring	O-ring	1
74	972059	O-ring	O-ring	1
75	972059	O-ring	O-ring	1
76	972059	O-ring	O-ring	1
77	972059	O-ring	O-ring	1
78	972059	O-ring	O-ring	1
79	972059	O-ring	O-ring	1
80	972059	O-ring	O-ring	1
81	972059	O-ring	O-ring	1
82	972059	O-ring	O-ring	1
83	972059	O-ring	O-ring	1
84	972059	O-ring	O-ring	1



\* Empfohlene Verschleisserteile

\* Rekomenderade sltdelar

\* Recommended wear parts